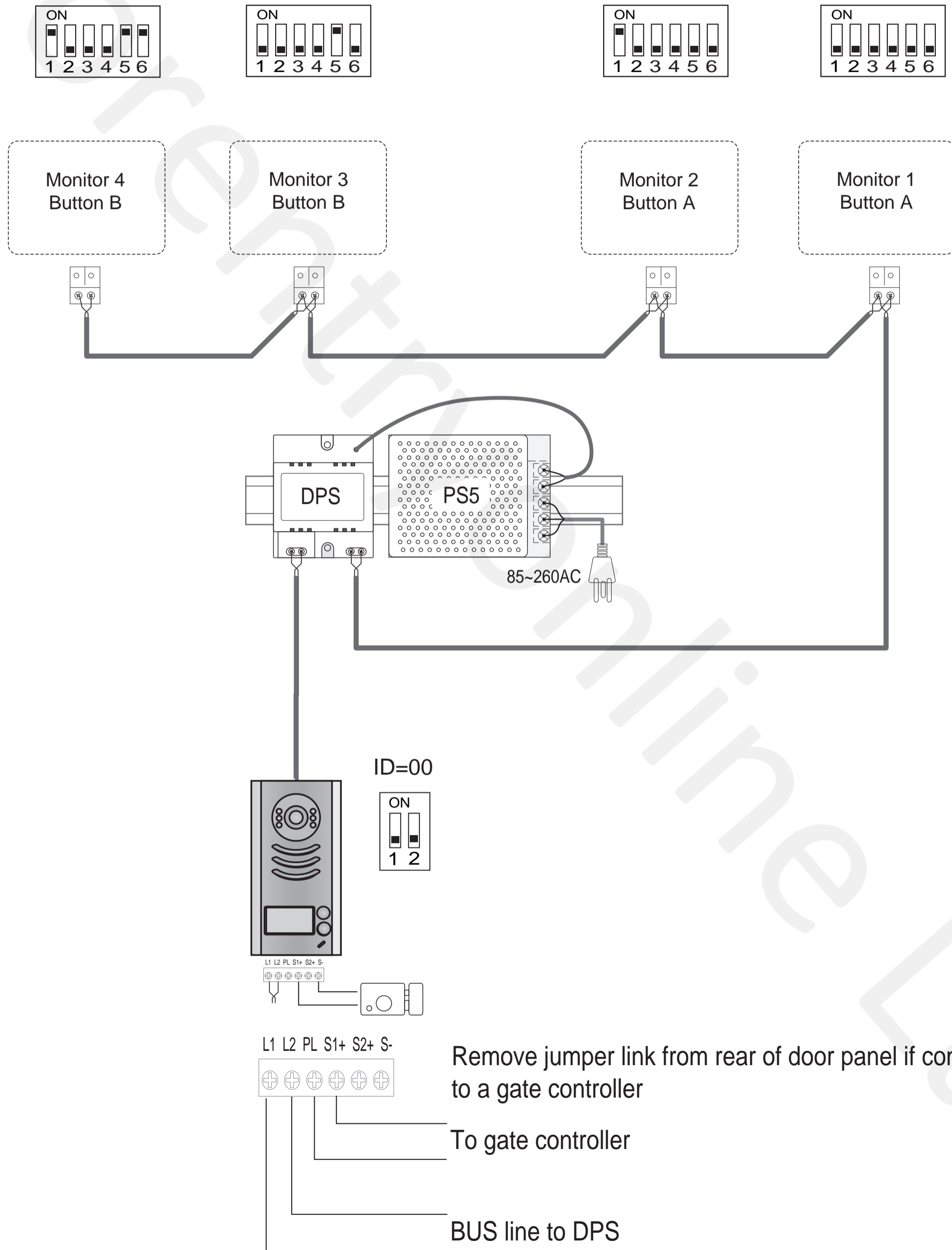
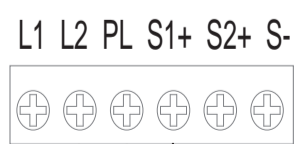
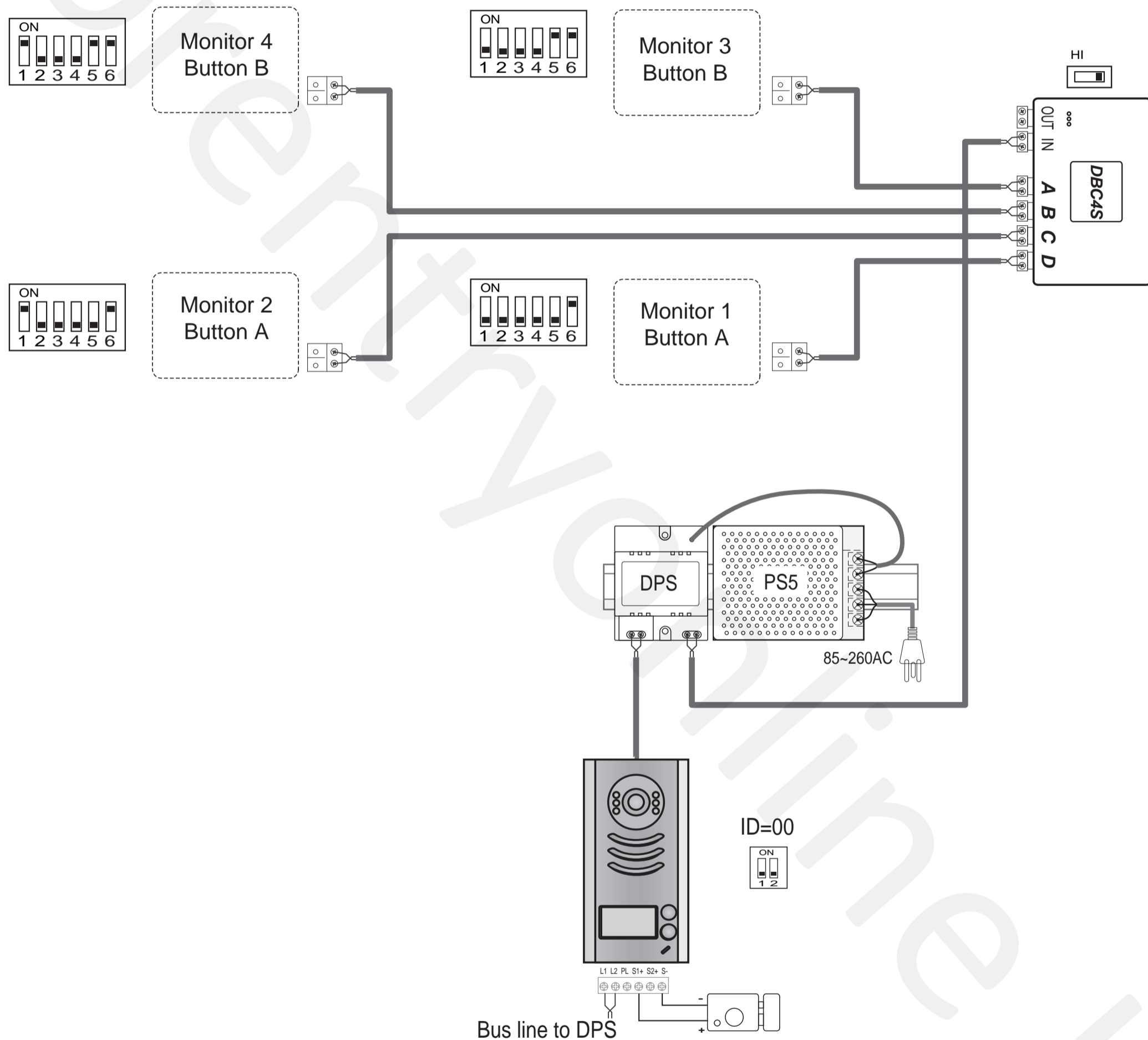


# Single Door Panel With Multi Monitors



# Door Panel With Multi Monitors Using DBC4S

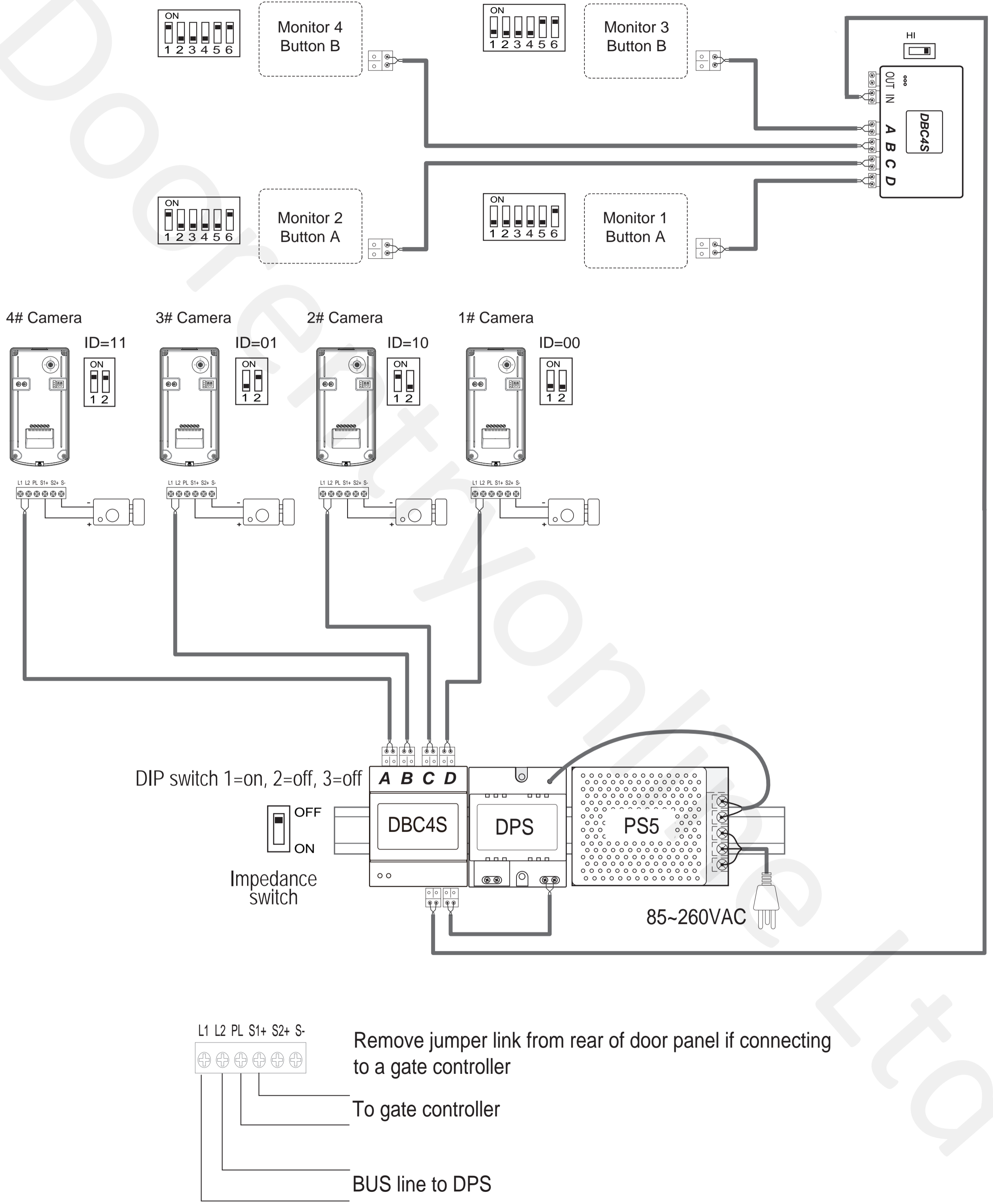


Remove jumper link from rear of door panel if connecting to a gate controller

To gate controller

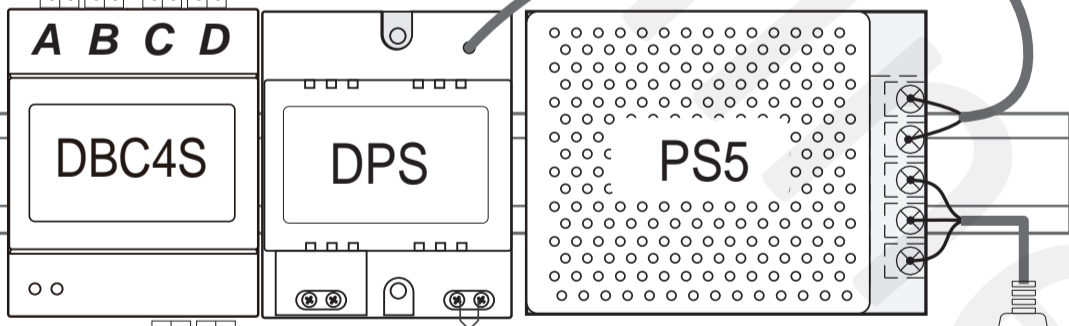
BUS line to DPS

# Multi Door Panel With Multi Monitors using DBC4S



DIP switch 1=on, 2=off, 3=off

OFF  
ON  
Impedance switch



85~260VAC



Remove jumper link from rear of door panel if connecting to a gate controller

To gate controller

BUS line to DPS

# Connecting to Magnetic Lock - All Systems

## Important:

- 1) The PS5 power supply & TR1 relay is required for all installations using a magnetic lock
- 2) Ensure the magnetic lock is set for 24v dc operation
- 3) Remove the black jumper link from the rear of the relevant door panel

