

DUAL UNIT – INSTRUCTION SHEET

Complies with Risk Assessment – RA001, EN50133 and Industry Codes of Practice

Contents

The Following items are included with the unit:-

1. Combination Head CSK Screw (M3.5x40mm) – 2Nos.
2. Allen Head CSK Screw (M3.5x40mm) – 1No
3. Combination Head CSK Screw (M3.5x32mm) – 2Nos.
4. Allen Head CSK Screw (M3.5x25mm) – 1No
5. Allen Head CSK Screw (M3.5x18mm) – 1No
6. Brass Hex Insert (M3.5) – 1No.
7. Allen Key – 2.5mm (Across – Flat) – 1No.
8. Plastic Reset Key – 2Nos.

TECHNICAL SPECIFICATION

Combination Exit Button & Emergency Release

EXIT BUTTON

High impact plastic back box (robust design)
Double pole contact—N/O-N/C at 30V AC/DC
Designed for greater than 1million operations
Etched Legend
Security Screws (Allen Key Type)

EMERGENCY RELEASE

3 N/O—N/C Contacts
Audible (Selectable)/ LED Warning
Plastic Cover flips up for operation
Size—160Hx90Wx42D all mm

FEATURES

Easy clean surface (Ideal for Hospital/Public areas)
Easy cable entry from sides or rear
Screw footprint for flush fitting onto a Standard UK Single Gang Box.
Reduced wiring labour time
Buttons available
Green Dome
Stainless Steel
Touch Free
Key Reset (Not Replacement Glass)
Internal Use

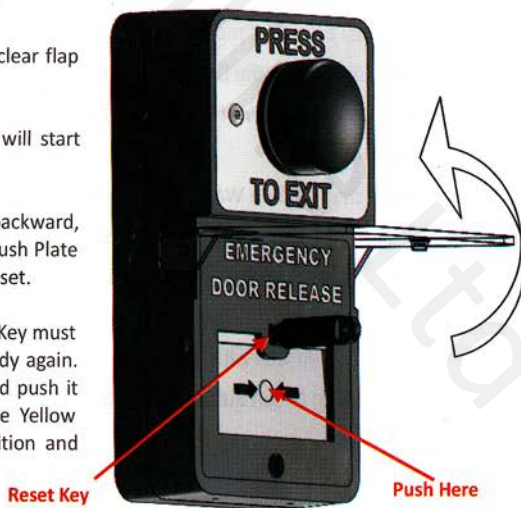
Operation

To activate the emergency feature, lift the clear flap and press the Push Plate where Indicated.

This will illuminate the LED and a Buzzer will start sounding.

On activation the Push Plate will move backward, and the Yellow Indicator Bar retaining the Push Plate will drop down preventing Un-authorized reset.

To reset the unit after activation, The Reset Key must be used to make the unit operationally ready again. Insert the key in the correct orientation and push it to the limit of the key. This will allow the Yellow Indicator Bar to return to its original position and hence the Push Plate will be reset.



CE

Figure. 1



Green Dome Button



Stainless Steel Button



Touch Free Button

Installation of Surface Box (Surface fitting)

1. Fix surface box on the wall as desired using holes and the knockouts as required.
2. Make connections as per Connection Diagram.
3. Fix Front Cover on to the Surface Box with Combination.
Head CSK Screw (M3.5x32mm—2 Nos) & Allen
Head CSK Screw (M3.5x 25mm—1 No)
4. Fix SS plate with Switch on Front Cover with Allen Head Screw (3.5x18mm—2 Nos)

Installation Direct on Wall (Flush Fitting—Without Surface Box)

Flush Fitting can only be done on Single Gang Box

1. Remove the Push Plate Mechanism from the front cover, by removing the self tapping screws.
2. Ease the Yellow Indicator Bar upwards from the White Push Plate slowly to allow the white Push Plate to swing open.
3. If the surface box has 2 mounting holes push the Brass Hex Insert (M3.5) in the mechanism as shown, otherwise the Brass Hex is not required.
4. Fit the Allen Head Screw (M3.5x40mm) directly to the bottom leg of the surface box without Brass Hex Insert.
5. Fix the mechanism on Wall (Plaster fix boc/Surface Box) as shown.
6. Push the front cover on the mechanism making locks from the Front Cover insert into the cutouts provided in the mechanism. Then slide front cover down to lock it on the mechanism.
7. Fix Front cover on wall with screws
8. Fix SS Plate with Green Button/ SS Button/ Touch Free Button on the Front Cover.

Connection Diagram

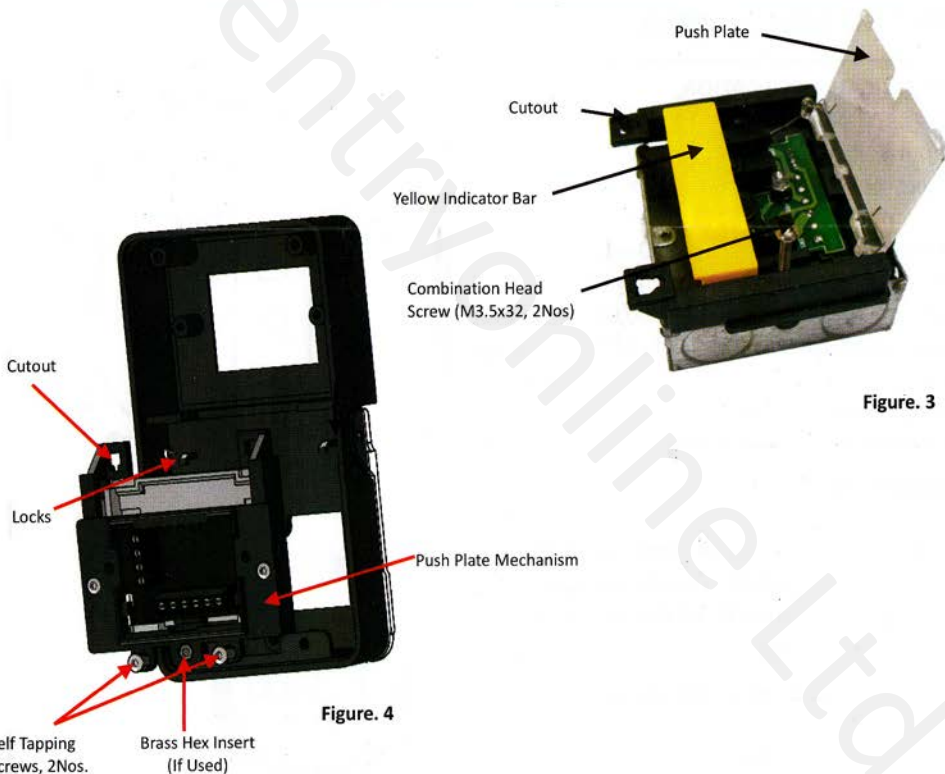
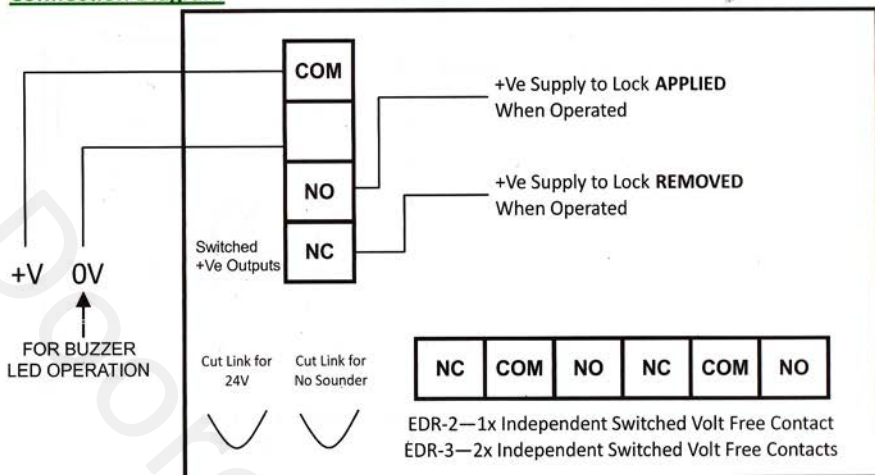
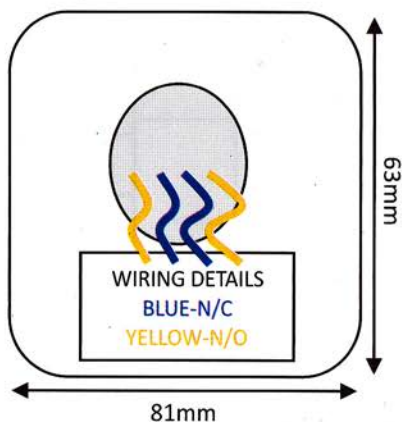


Figure. 3

Figure. 4

Green & Stainless Steel Button Latch Release Configuration

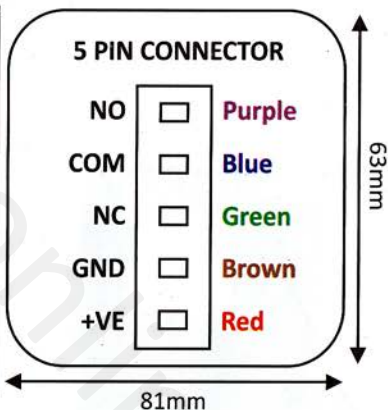
Wires are to be connected at Terminal Board provided on the PCB (fixed on Front Cover) as per connection diagram.



Touch Free Button Instructions

TECHNICAL SPECIFICATION

Input Voltage DC:	12V	24V
Quiescent Current:	16mA	20mA
Proximity Current:	23mA	30mA
Range:	30—120mm	
Maximum Output:	1A@30VDC	
Lifetime (IR Sensor):	100,000 hrs	
Lifetime (Relay):	1x10 ⁷ Operations	
Case:	Stainless Steel	
Weight (sensor only):	375g	



OPERATION

Adjust detection range and duration of operation as desired. Ensure no object is within 300mm and 60° of the unit to avoid spurious triggering.

Using J1 and J2 select the colour operation as follows—

- J1 = Standby—Red
Operation Green
- J2 = Standby—Green
Operation—Red

