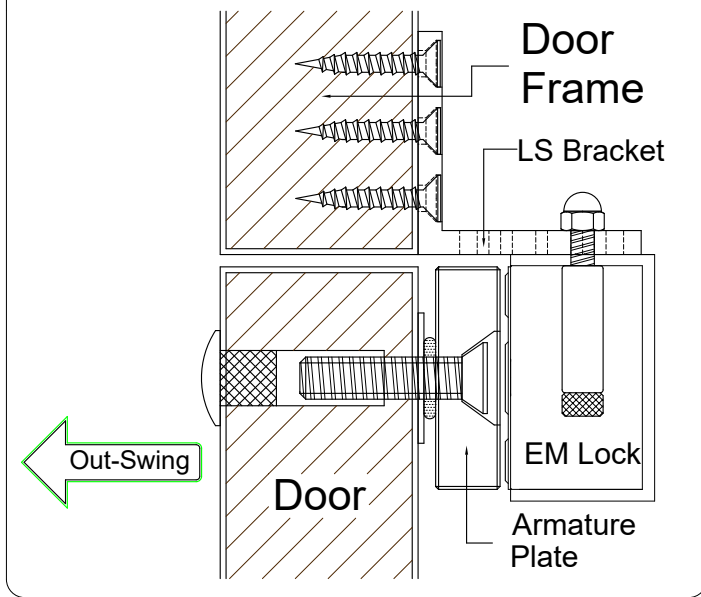




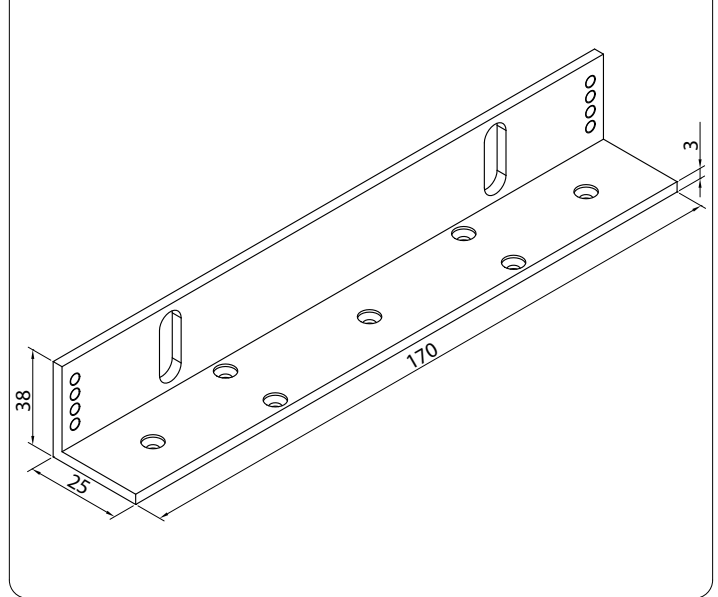
L-300 Bracket

(Out - Swing Door Application)

Bracket Application



Specifications (Unit = mm)



Installation Method

